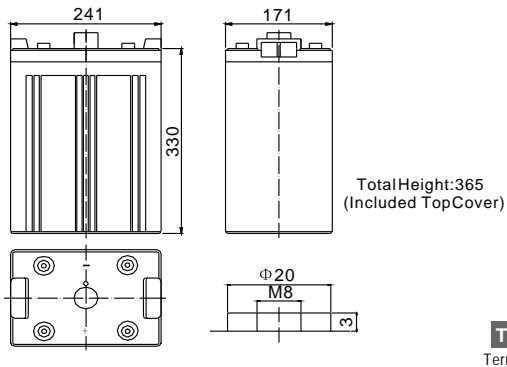


Standard AGM Series CY2500_{2V500Ah}



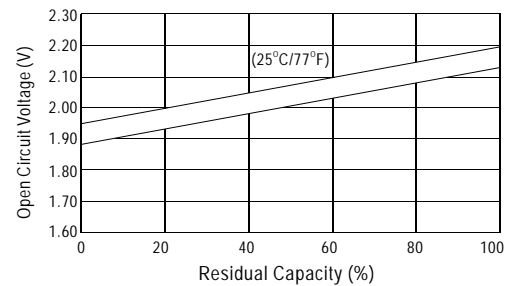
Dimension(mm)



Specification

Nominal Voltage		2 V
Capacity(10HR, 25°C)		500 Ah
Dimension	Length	241mm (9.5inch)
	Width	171mm (6.7inch)
	Height	330mm (13.0inch)
	Total Height	365mm (14.4inch)
Approx. Weight		31.5kg (69.3lbs)

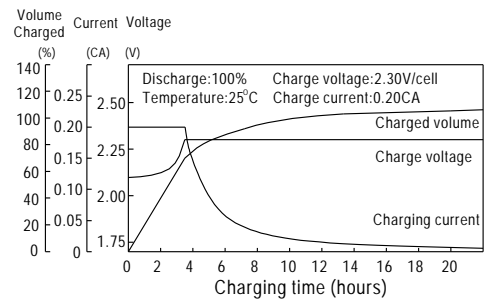
The Relationship for Open Circuit Voltage and Residual Capacity (25°C)



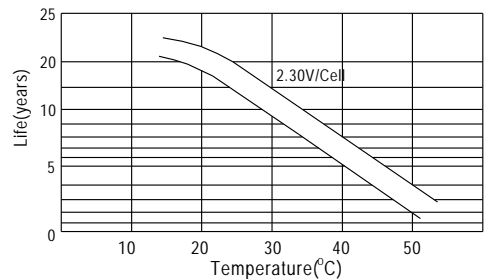
Characteristics

Capacity 20°C (68°F) To 1.70V/Cell	20 hour rate	534Ah
	10 hour rate	500Ah
	5 hour rate	462.5Ah
	1 hour rate	312Ah
	15 min rate	162Ah
Internal resistance(Fully charged, 25°C)		Approx. 0.40mΩ
Capacity affected by temperature (10HR)	40°C	102%
	25°C	100%
	0°C	85%
	-15°C	65%
Self-discharge (25°C)	3 month	Remaining Capacity: 91%
	6 month	Remaining Capacity: 82%
	12 month	Remaining Capacity: 65%
Nominal operating temperature		25°C ± 3°C (77°F ± 5°F)
Operating temperature range		-15°C ~ 50°C (5°F ~ 122°F)
Float charging voltage(25°C)		2.25 to 2.30V
Cyclic charging voltage(25°C)		2.42 to 2.48V
Maximum charging current		100A
Terminal material		Copper
Maximum discharge current		3500A(5 Sec.)

Charging Characteristics(25°C)



Temperature Affects On Floating Life



Constant Current Discharge Characteristics(A, 25°C)

F. V/TIME	5min	10min	15min	30min	60min	3h	5h	10h	20h
1.60V	1250	825	675	450	325	132	93.9	50.8	26.9
1.70V	1188	784	648	432	312	130	92.5	50.3	26.7
1.80V	1116	737	616	410	296	127	90.7	50.0	26.5

Constant Power Discharge Characteristics(Watt, 25°C)

F. V/TIME	5min	10min	15min	30min	60min	3h	5h	10h	20h
1.60V	2188	1485	1235	842	618	259	185	101	53.8
1.70V	2079	1411	1186	808	593	255	182	100	53.3
1.80V	1953	1327	1127	767	563	250	179	100	53.0